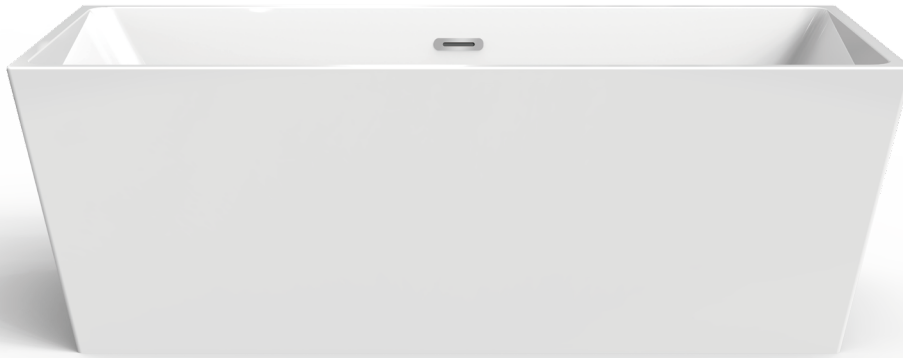


Harmony

YY013-1500W

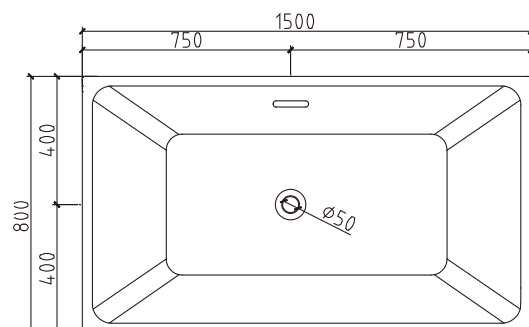
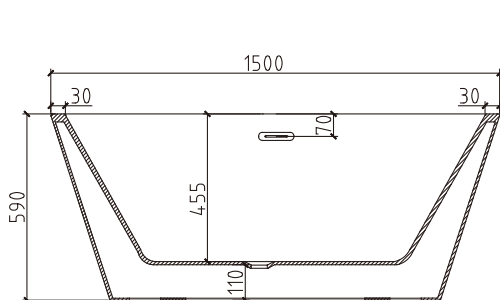


Information

Brand Name	TONA
Product Name	Bathtub
Material	CAST STONE
Color	White Glossy
Production Process	Seamless butt joint
Installation Method	Freestanding
Faucet	Without faucet
Component	Bathtub+Pop up+Overflow hole+Drain Pipe

Model	YY013-1500W
Specification	1500*800*590mm
N.kg	41.3kg
G.kg	47.0kg
Volume	0.82m ³
Drain _(The distance from to the ground)	110mm
Capacity	245L

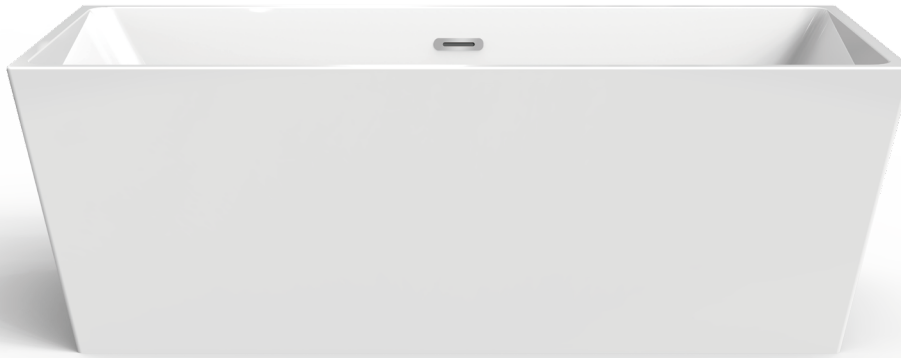
Technical drawing



Note: The size is measured manually, with the ± 2 cm of error. Please in kind prevail.

Harmony

YY013-1700W

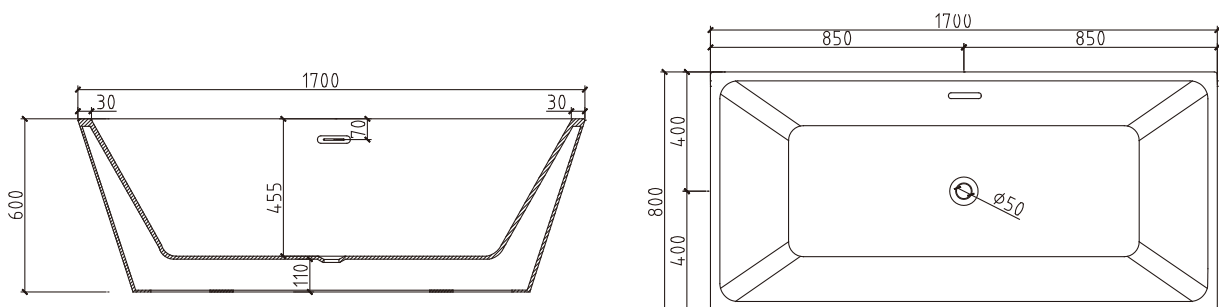


Information

Brand Name	TONA
Product Name	Bathtub
Material	CAST STONE
Color	White Glossy
Production Process	Seamless butt joint
Installation Method	Freestanding
Faucet	Without faucet
Component	Bathtub+Pop up+Overflow hole+Drain Pipe

Model	YY013-1700W
Specification	1700*800*600mm
N.kg	52.6kg
G.kg	58.9kg
Volume	0.95m ³
Drain _(The distance from to the ground)	110mm
Capacity	295L

Technical drawing



Note: The size is measured manually, with the ± 2 cm of error. Please in kind prevail.