

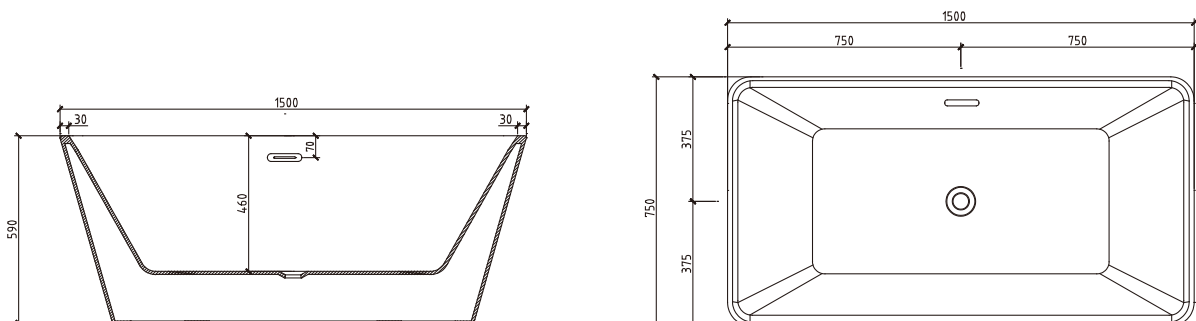


Information

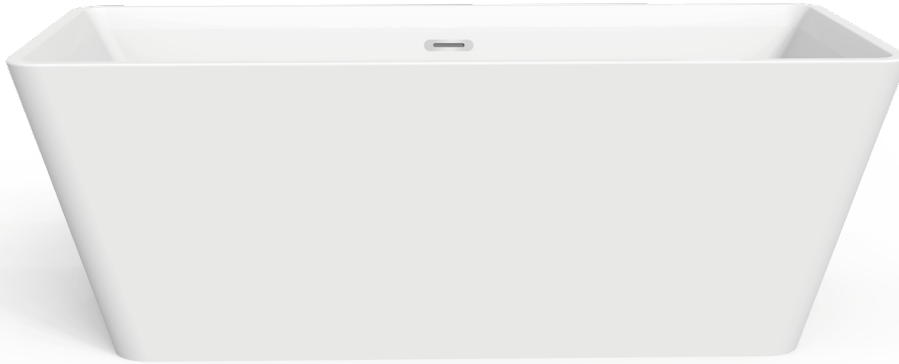
Brand Name	TONA
Product Name	Bathtub
Material	CAST STONE
Color	White Glossy
Production Process	Seamless butt joint
Installation Method	Freestanding
Faucet	Without faucet
Component	Bathtub+Pop up+Overflow hole+Drain Pipe

Model	YY012-1500W
Specification	1500*750*590mm
N.kg	46.2kg
G.kg	51.7kg
Volume	0.78m ³
Drain _(The distance from to the ground)	155mm
Capacity	225L

Technical drawing



Note: The size is measured manually, with the ± 2 cm of error. Please in kind prevail.

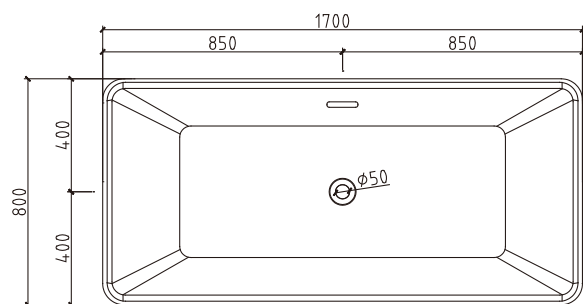
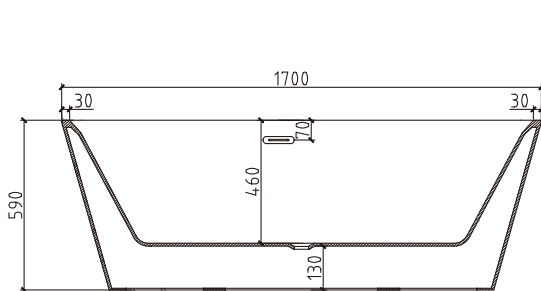


Information

Brand Name	TONA
Product Name	Bathtub
Material	CAST STONE
Color	White Glossy
Production Process	Seamless butt joint
Installation Method	Freestanding
Faucet	Without faucet
Component	Bathtub+Pop up+Overflow hole+Drain Pipe

Model	YY012-1700W
Specification	1700*800*590mm
N.kg	52.1kg
G.kg	58.3 kg
Volume	0.94m ³
Drain _(The distance from to the ground)	130mm
Capacity	270L

Technical drawing



Note: The size is measured manually, with the ± 2 cm of error. Please in kind prevail.