

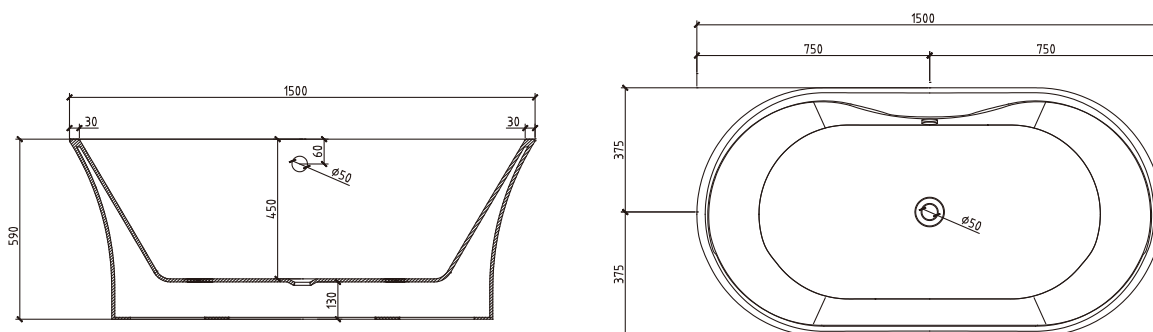


## Information

Brand Name	TONA
Product Name	Bathtub
Material	CAST STONE
Color	White Glossy
Production Process	Seamless butt joint
Installation Method	Freestanding
Faucet	Without faucet
Component	Bathtub+Pop up+Overflow hole+Drain Pipe

Model	YY008-1500W
Specification	1500*750*590mm
N.kg	38.4kg
G.kg	44.2kg
Volume	0.78m <sup>3</sup>
Drain <sub>(The distance from to the ground)</sub>	130mm
Capacity	210L

## Technical drawing



Note: The size is measured manually, with the  $\pm 2$  cm of error. Please in kind prevail.

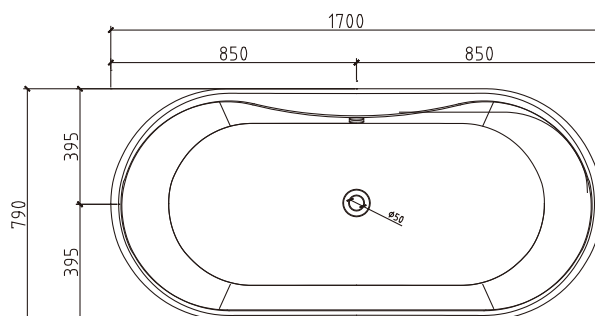
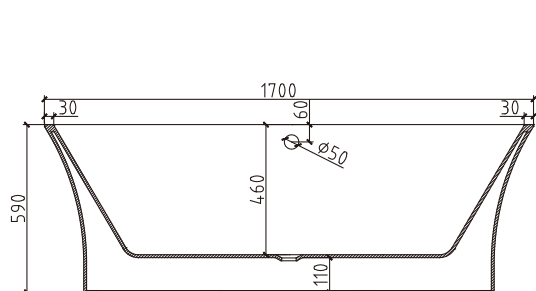


## Information

Brand Name	TONA
Product Name	Bathtub
Material	CAST STONE
Color	White Glossy
Production Process	Seamless butt joint
Installation Method	Freestanding
Faucet	Without faucet
Component	Bathtub+Pop up+Overflow hole+Drain Pipe

Model	YY008-1700W
Specification	1700*790*590mm
N.kg	43.6kg
G.kg	49.8kg
Volume	0.93m <sup>3</sup>
Drain <sub>(The distance from to the ground)</sub>	110mm
Capacity	240L

## Technical drawing



Note: The size is measured manually, with the  $\pm 2$  cm of error. Please in kind prevail.