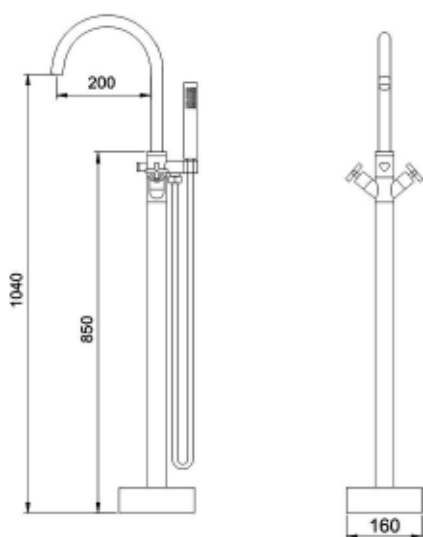


FY082-F



Material: Brass, zinc alloy

Faucet valve core : brass

Hand shower: Yes

Bubbling device: Neoperl

Size: 160 *1100 mm