

Tina



Cabinet:

Material: MFC (Melamine faced chipboard)

Color: 0476 Grey Oak

Environment Certification: E1

Design: Anti-cutting hand anti-collision

Handle: Metal handle

Drawer running system: DTC soft closing which can prevent the door from noisy close. safer and more comfortable

Hanging system: H90

Basin:

Material: Ceramic integrated basin

Color: White Glossy

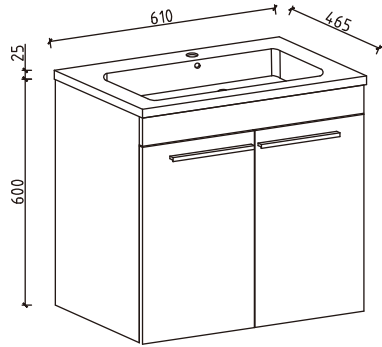
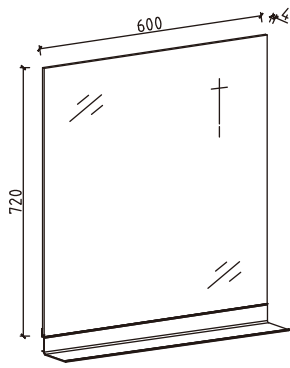
Features: Fired in high temperature, smooth surface and easy to clean

Design: Rectangle appearance with round overflow hole makes the basin more flexible

Mirror:

Material: Silver mirror without copper

Features: Equipped with simply designed L shaped thin-edged shelf which provides more convenience for storage



Tina-600 V001-600

Cabinet :

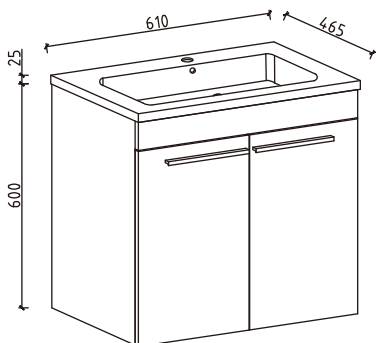
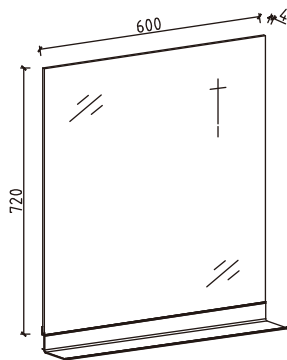
(C001CW-600KJD0476)
600*455*600mm (W*D*H)
GW :21.4kg NW19.2kg CBM:0.23m³

Basin:

(B1001GW-600)
610*465*170mm (W*D*H)
GW :13.0kg NW:11.0kg CBM:0.084m³

Mirror :

(M011-600B)
600*68*770mm (W*D*H)
GW :6.2kg NW:5.1kg CBM:0.04m³



Tina-700 V001-700

Cabinet :

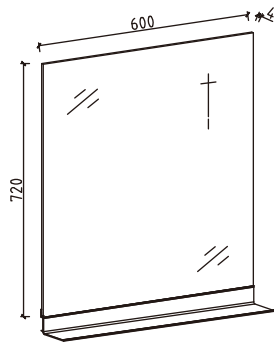
(C001CW-700KJD0476)
700*455*600mm (W*D*H)
GW 23.6kg NW:21.2kg CBM:0.265m³

Basin:

(B1001GW-700)
710*465*170mm (W*D*H)
GW :17.0kg NW:15.0kg CBM:0.067m³

Mirror :

(M011-600B)
600*68*770mm (W*D*H)
GW :6.2kg NW:5.1kg CBM:0.04m³



Tina-800 V001-800

Cabinet :

(C001CW-800KJD0476)

800*455*600mm (W*D*H)

GW :25.7kg NW:23.1kg CBM:0.299m³

Basin:

(B1001GW-800)

810*465*170mm (W*D*H)

GW :18.5kg NW:16.5kg CBM:0.108m³

Mirror :

(M011-600B)

600*68*770mm (W*D*H)

GW :6.2kg NW:5.1kg CBM:0.04m³

