

# Lamina

Real, natural and fluent, advocating natural and fluent expression, customized for the space showing the real and simple self



## Cabinet:

Material: MFC free painting plate 6520 + Imported porcelain slab 8883

Color: 6520 cement grey + 8883 basatina grey

Environmental protection grade: E1

Design: ultra-thin rock plate table, integrated with the cabinet body on three sides; gold ratio double pumping, more reasonable storage of goods.

Handle: 45 ° angle invisible handle process to prevent collision and scratch

Drawer running system: DTC silent buffer track suspension

Hanging system: H90

Patented Design: ABS ultra-thin U-shaped hole avoiding water, orderly storage

## Basin:

Material: Ceramic tabletop

Color: Matt Grey / Glossy White

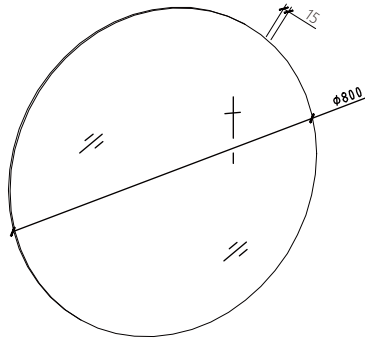
Features: high temperature firing, smooth glaze, easy to clean

## Mirror:

Material: Copper free environmental protection silver mirror

Design: circular design

Features: simple and fashionable



## Lamina -800 K044-800

---

### Cabinet :

(C044CW-0800KMD6520)  
 794\*520\*500 mm (W\*D\*H)  
 GW :30kg NW:27kg CBM:0.03m<sup>3</sup>

### Countertop:

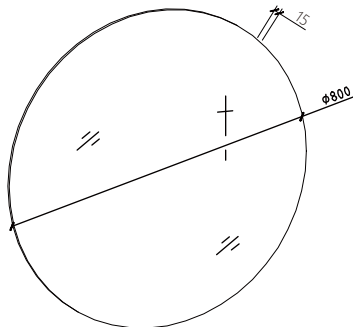
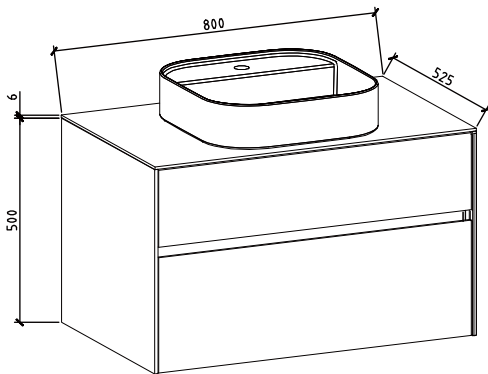
(U044Y-08008883-6)  
 800\*525\*6mm (W\*D\*H)  
 GW :6kg NW:6kg CBM:0.02m<sup>3</sup>

### Basin :

(B1702GG-04545)  
 450\*450\*110 mm (W\*D\*H)  
 GW :6kg NW:5kg CBM:0.03m<sup>3</sup>

### Mirror :

(M407-800)  
 ø800\*15 mm (W\*D\*H)  
 GW :10.16kg NW:7.55kg CBM:0.085m<sup>3</sup>



## Lamina -900 K044-900

---

### Cabinet :

(C044CW-0900KMD6520)  
 894\*520\*500 mm (W\*D\*H)  
 GW :31kg NW:28kg CBM:0.02m<sup>3</sup>

### Countertop:

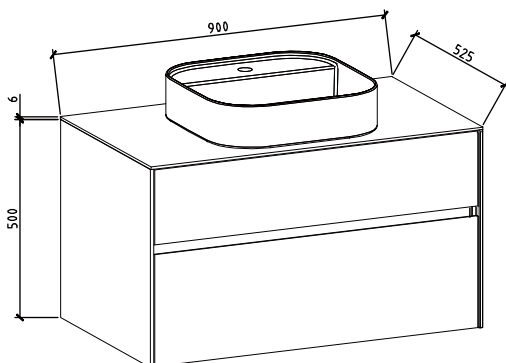
(U044Y-09008883-6)  
 900\*525\*6mm (W\*D\*H)  
 GW :7kg NW:6kg CBM:0.02m<sup>3</sup>

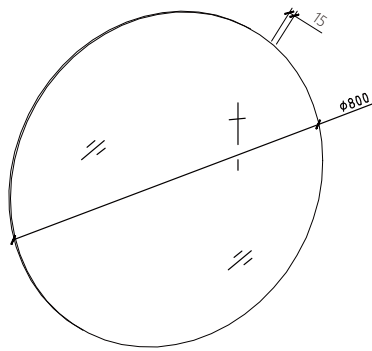
### Basin :

(B1702GG-04545)  
 450\*450\*110 mm (W\*D\*H)  
 GW :6kg NW:5kg CBM:0.03m<sup>3</sup>

### Mirror :

(M407-800)  
 ø800\*15 mm (W\*D\*H)  
 GW :10.16kg NW:7.55kg CBM:0.085m<sup>3</sup>





## Lamina-1000 K044-1000

### Cabinet :

(C044CW-1000KMD6520)

994\*520\*500 mm (W\*D\*H)

GW :38kg NW:34kg CBM:0.00m<sup>3</sup>

### Countertop:

(U044Y-10008883-6)

1000\*525\*6mm (W\*D\*H)

GW :7kg NW:6kg CBM:0.02m<sup>3</sup>

### Basin :

(B1702GG-04545)

450\*450\*110 mm (W\*D\*H)

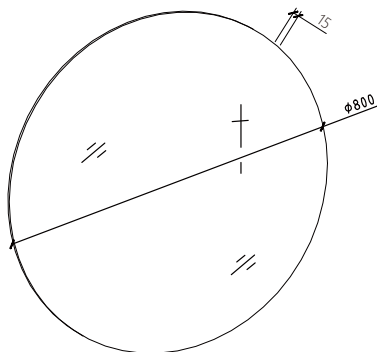
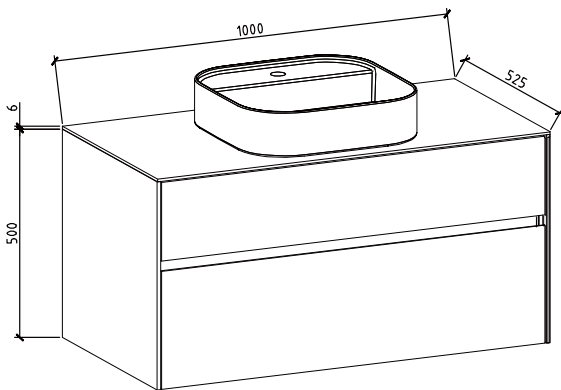
GW :6kg NW:5kg CBM:0.03m<sup>3</sup>

### Mirror :

(M407-800)

φ800\*15 mm (W\*D\*H)

GW :10.16kg NW:7.55kg CBM:0.085m<sup>3</sup>



## Lamina-1200 K044-1200L

### Cabinet :

(C044CW-1200KMD6520L)

1194\*520\*500 mm (W\*D\*H)

GW :44kg NW:40kg CBM:0.00m<sup>3</sup>

### Countertop:

(U044Y-12008883L-6)

1200\*525\*6mm (W\*D\*H)

GW :8kg NW:7kg CBM:0.02m<sup>3</sup>

### Basin :

(B1702GG-04545)

450\*450\*110 mm (W\*D\*H)

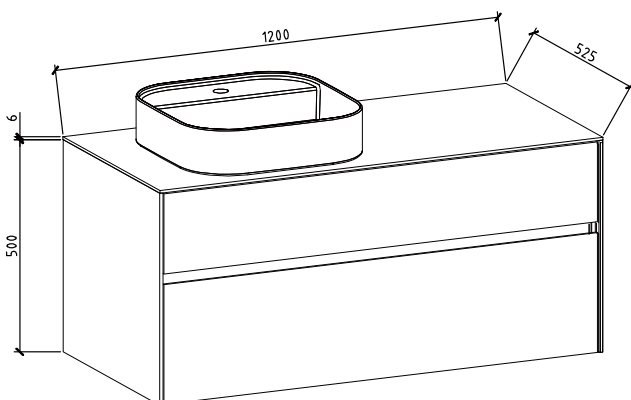
GW :6kg NW:5kg CBM:0.03m<sup>3</sup>

### Mirror :

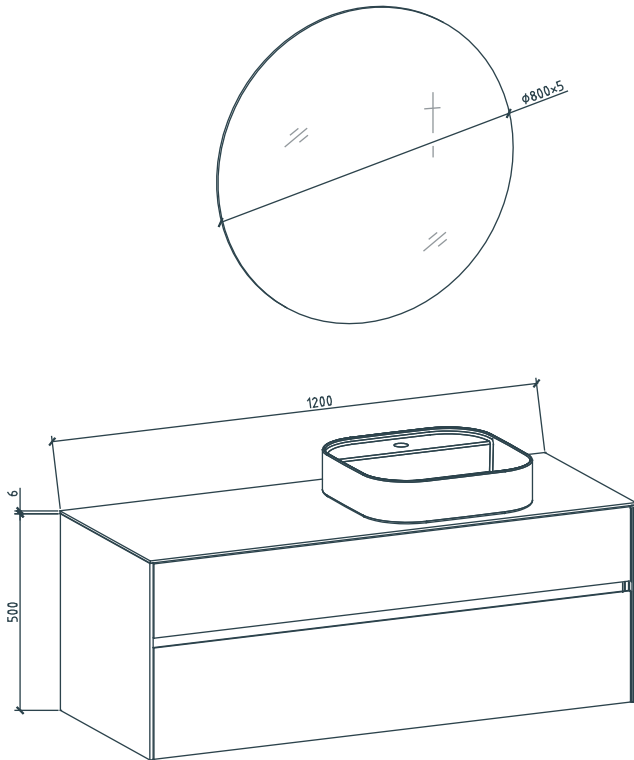
(M407-800)

φ800\*15 mm (W\*D\*H)

GW :10.16kg NW:7.55kg CBM:0.085m<sup>3</sup>



# Lamina-1200 K044-1200R



## Cabinet :

(C044CW-1200KMD6520R)

1194\*520\*500 mm (W\*D\*H)

GW :44kg NW:40kg CBM:0.00m<sup>3</sup>

## Countertop:

(U044Y-12008883R-6)

1200\*525\*6mm (W\*D\*H)

GW :8kg NW:7kg CBM:0.02m<sup>3</sup>

## Basin :

(B1702GG-04545)

450\*450\*110 mm (W\*D\*H)

GW :6kg NW:5kg CBM:0.03m<sup>3</sup>

## Mirror :

(M407-800)

φ800\*15 mm (W\*D\*H)

GW :10.16kg NW:7.55kg CBM:0.085m<sup>3</sup>

