

Inalco

Solid, calm, inclusive inspiration from the Knight Helmet connotation,
Knight like tough, calm quality wind



Cabinet:

Material: Edge banding, 6520 + Porcelain slab 8882

Color: 6520 light cement gray + 8882 Calacatta Environmental protection grade: E1

Design: ultra-thin imported rock plate, natural stone texture table top; elegant and fashionable, saving space; Unique design of mother and child pump, hidden small drawer handle built in large drawer:

Handle: 45 ° angle invisible handle process, to prevent collision

Drawer running system: DTC new ultra-thin steel pump, silent opening and closing, longer service life patent: ABS ultra-thin U-shaped hole avoiding water, orderly storage

Hanging system:H90

Basin:

Material: Ceramic Taizhong basin

Color: Glossy White

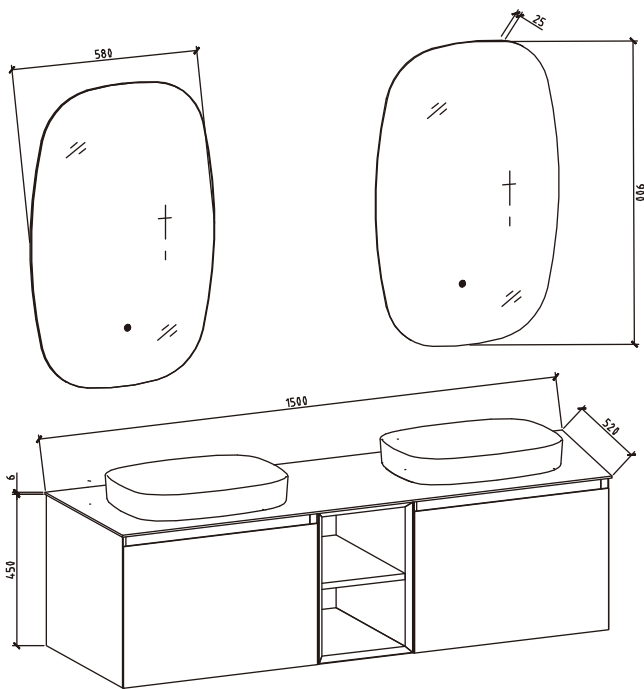
Features: high temperature firing, smooth glaze, easy to clean; double basin integrated molding design, no joint gap, clean no dead corner

Mirror:

Material: LED silver mirror design: square round corner design

Features: 360-degree lighting, high-definition silver mirror, Daisy touch switch, one button lighting and fog removal

Inalco -1500 K024-1500D



Cabinet :

(C024CW-0600DND6520*2)
594*520*450 mm (W*D*H)
GW :27kg NW:25kg CBM:0.2m³

Middle frame :

(C024CM-0300D6520)
296*517*450 mm (W*D*H)
GW :14kg NW:13kg CBM:0.11m³

Countertop :

(U024Y-15008882-6)
1496*525*6 mm (W*D*H)
GW :15kg NW:13kg CBM:0.09m³

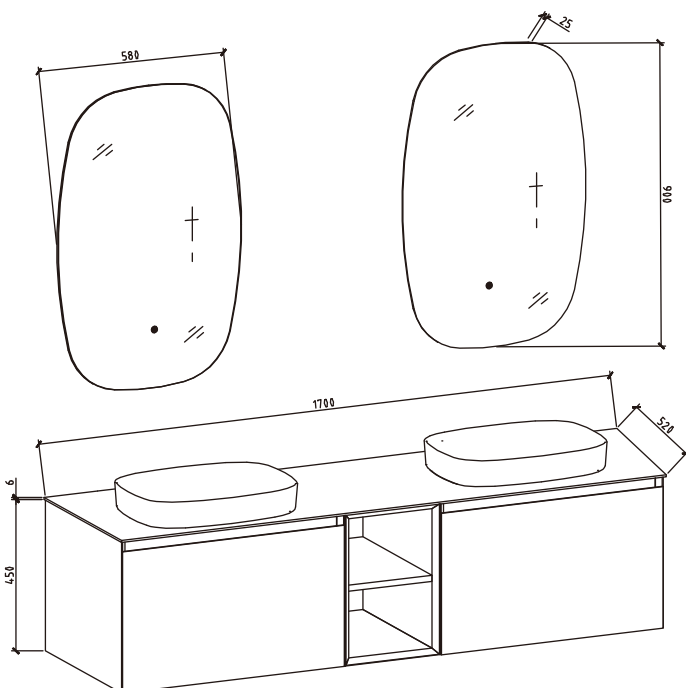
Basin :

(B1502GW-05038*2)
500*380*140 mm (W*D*H)
GW :9kg NW:8kg CBM:0.04m³

Mirror :

(M602-580DF*2)
580*900*25 mm (W*D*H)
GW :7kg NW:6kg CBM:0.07m³

Inalco -1700 K024-1700D



Cabinet :

(C024CW-0700DND6520*2)
694*520*450 mm (W*D*H)
GW :30kg NW:28kg CBM:0.23m³

Middle frame :

(C024CM-0300D6520)
296*517*450 mm (W*D*H)
GW :14kg NW:13kg CBM:0.11m³

Countertop :

(U024Y-17008882-6)
1696*525*6 mm (W*D*H)
GW :17kg NW:14kg CBM:0.1m³

Basin :

(B1502GW-05038*2)
500*380*140 mm (W*D*H)
GW :9kg NW:8kg CBM:0.04m³

Mirror :

(M602-580DF*2)
580*900*25 mm (W*D*H)
GW :7kg NW:6kg CBM:0.07m³

Inalco -1900 K024-1900D

Cabinet :

(C024CW-0800DND6520*2)
794*520*450 mm (W*D*H)
GW :33kg NW:30kg CBM:0.26m³

Middle frame :

(C024CM-0300D6520)
296*517*450 mm (W*D*H)
GW :14kg NW:13kg CBM:0.11m³

Countertop :

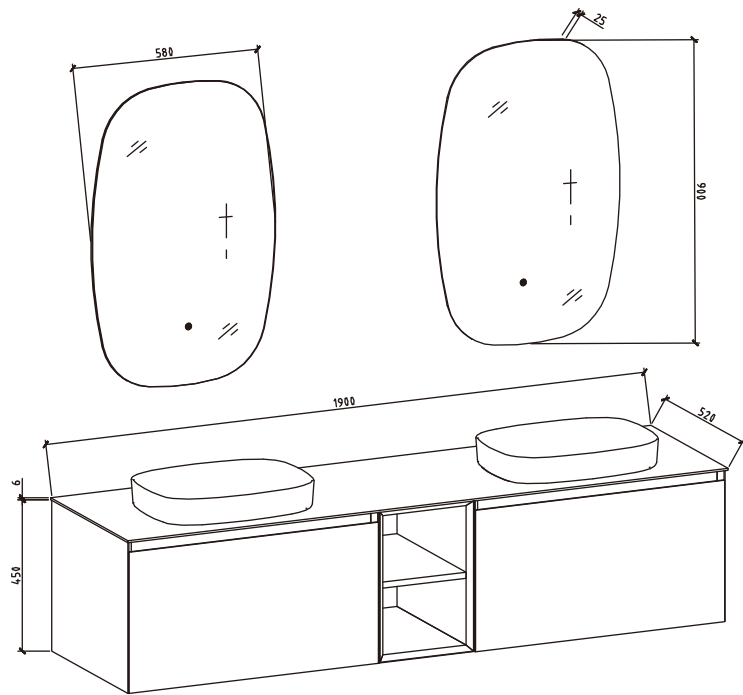
(U024Y-19008882-6)
1896*525*6 mm (W*D*H)
GW :19kg NW:16kg CBM:0.11m³

Basin :

(B1502GW-05038*2)
500*380*140 mm (W*D*H)
GW :9kg NW:8kg CBM:0.04m³

Mirror :

(M602-580DF*2)
580*900*25 mm (W*D*H)
GW :7kg NW:6kg CBM:0.07m³



Inalco -2100 K024-2100D

Cabinet :

(C024CW-0900DND6520*2)
894*520*450 mm (W*D*H)
GW :35kg NW:33kg CBM:0.29m³

Middle frame :

(C024CM-0300D6520)
296*517*450 mm (W*D*H)
GW :14kg NW:13kg CBM:0.11m³

Countertop :

(U024Y-21008882-6)
2100*525*6 mm (W*D*H)
GW :21kg NW:18kg CBM:0.12m³

Basin :

(B1502GW-05038*2)
500*380*140 mm (W*D*H)
GW :9kg NW:8kg CBM:0.04m³

Mirror :

(M602-580DF*2)
580*900*25 mm (W*D*H)
GW :7kg NW:6kg CBM:0.07m³

