

Calimera

Tranquil, vast, pure
The tranquil and solemn beauty inherited from the Alps
makes this corner of your home picturesque



Countertop:

Sintered stone slab.

Mirror:

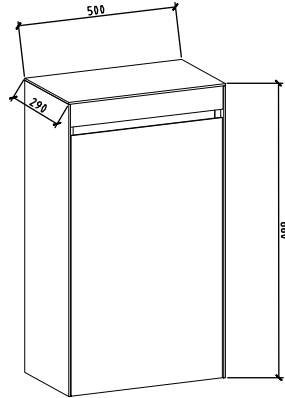
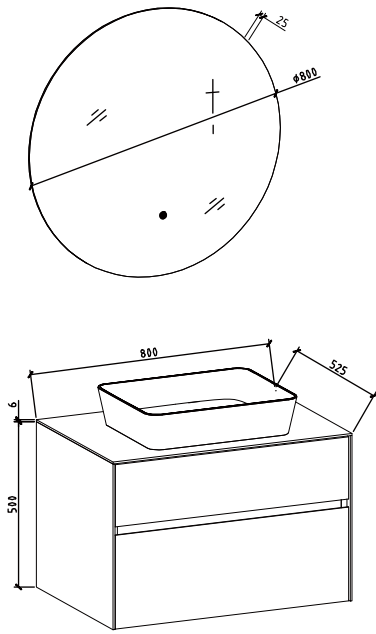
MNRL02.LED mirror, round, touch switch, LED light guide your way in the night.

Cabinet:

MDF, European E1 standard, 45 ° oblique cut invisible drawer handle, up and down double-drawer, wooden drawer with DTC soft closing damping running system, push-open drawer.

Basin:

Solid surface, white, above countertop, rectangle shape.



Calimera-800 S06-800

Cabinet :

(CGS006-800)

800*525*506 mm (W*D*H)

GW :6.63kg NW:0.07kg CBM:0.72m³

Basin :

(BTM006-480W)

480*380*130 mm (W*D*H)

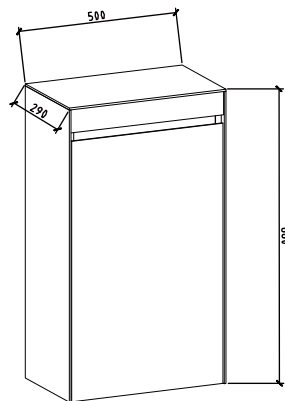
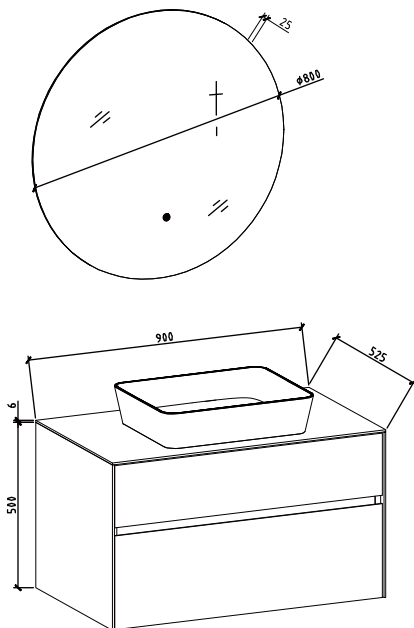
GW :10.45kg NW:9.43kg CBM:0.047m³

LED mirror :

(MNRL02-800)

φ800*25 mm (W*D*H)

GW :9.01kg NW:7.55kg CBM:0.085m³



Calimera-900 S06-900

Cabinet :

(CGS006-900)

900*525*506 mm (W*D*H)

GW :7.07kg NW:0.08kg CBM:0.799m³

Basin :

(BTM006-480W)

480*380*130 mm (W*D*H)

GW :10.45kg NW:9.43kg CBM:0.047m³

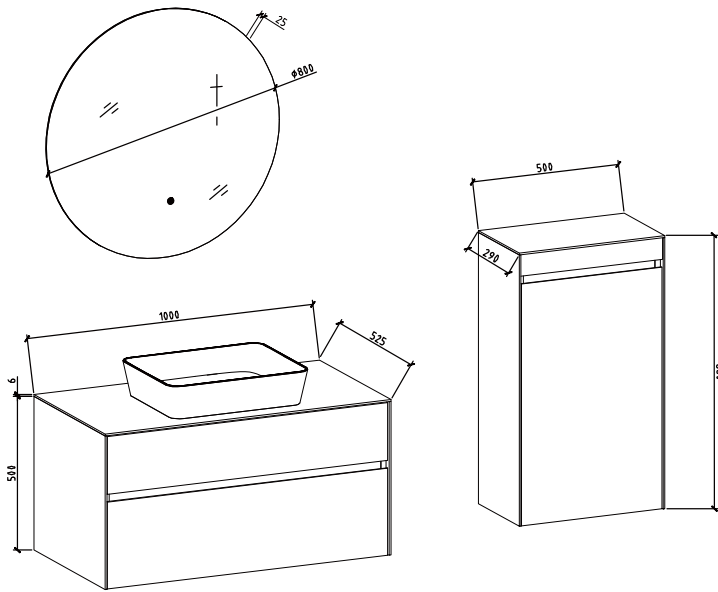
LED mirror :

(MNRL02-800)

φ800*25 mm (W*D*H)

GW :9.01kg NW:7.55kg CBM:0.085m³

Calimera-1000 S06-1000



Cabinet :

(CGS006-1000)

1000*525*506 mm (W*D*H)

GW :7.59kg NW:0.08kg CBM:0.878m³

Basin :

(BTM006-480W)

480*380*130 mm (W*D*H)

GW :10.45kg NW:9.43kg CBM:0.047m³

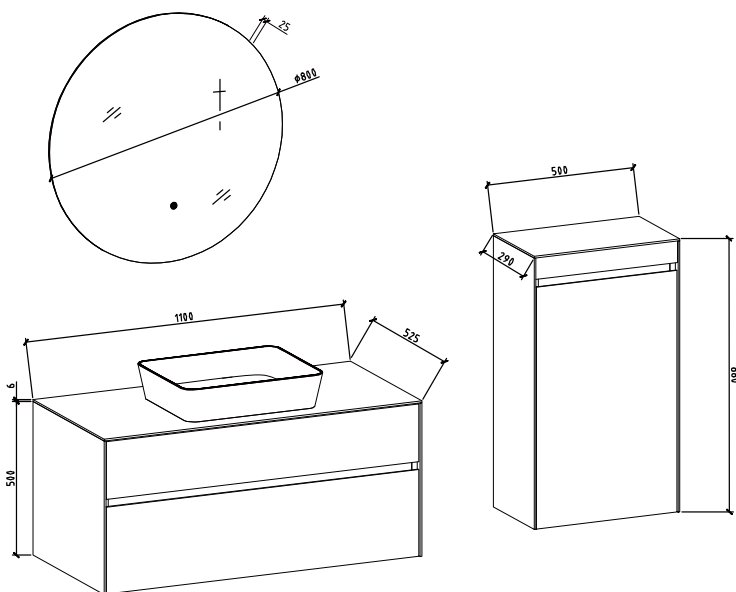
LED mirror :

(MNRL02-800)

φ800*25 mm (W*D*H)

GW :9.01kg NW:7.55kg CBM:0.085m³

Calimera-1100 S06-1100



Cabinet :

(CGS006-1100)

1100*525*506 mm (W*D*H)

GW :8.02kg NW:0.08kg CBM:0.957m³

Basin :

(BTM006-480W)

480*380*130 mm (W*D*H)

GW :10.45kg NW:9.43kg CBM:0.047m³

LED mirror :

(MNRL02-800)

φ800*25 mm (W*D*H)

GW :9.01kg NW:7.55kg CBM:0.085m³

Calimera-1200L S06-1200L

Cabinet :

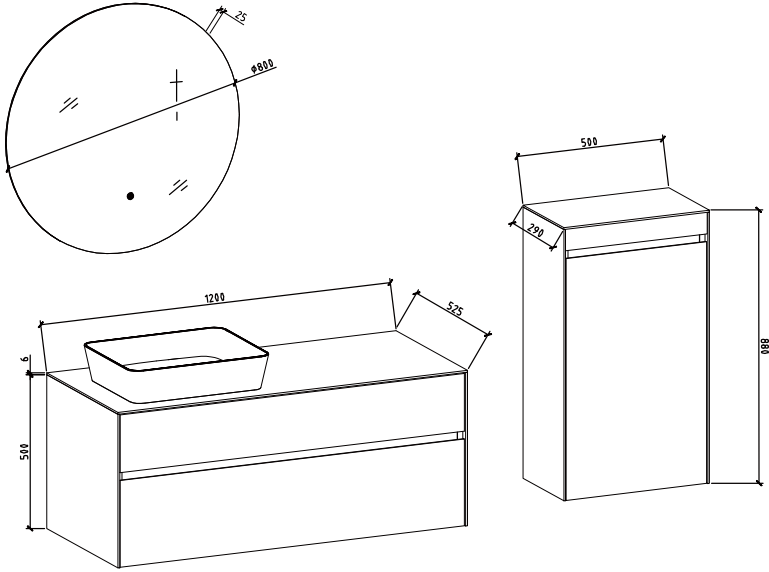
(CGS006-1200L)
 1200*525*506 mm (W*D*H)
 GW :8.54kg NW:0.08kg CBM:1.036m³

Basin :

(BTM006-480W)
 480*380*130 mm (W*D*H)
 GW :10.45kg NW:9.43kg CBM:0.047m³

LED mirror :

(MNRL02-800)
 φ800*25 mm (W*D*H)
 GW :9.01kg NW:7.55kg CBM:0.085m³



Cabinet :

(CSS002-880L)
 500*290*880 mm (W*D*H)

Cabinet :

(CSS002-880R)
 500*290*880 mm (W*D*H)

Shelf :

(CFS002-400)
 400*120*24 mm (W*D*H)
 GW :1.51kg NW:1.26kg CBM:0.007m³

