

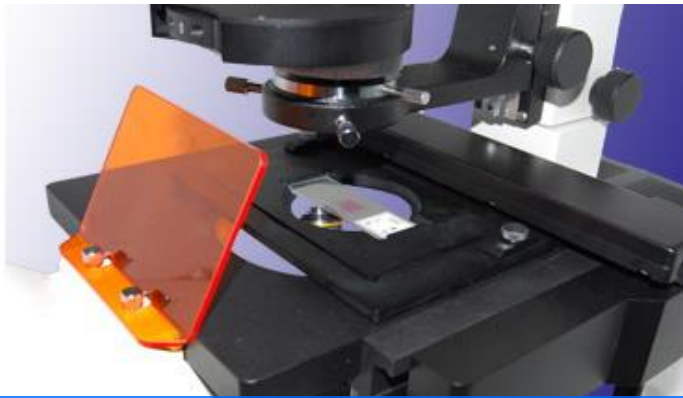


# A16.0206

## Inverted Fluorescent Microscope, Phase Contrast



## Product Details



Epi-Fluorescent Illumination System  
Power Supply Unit, 110V or 230V Optional, 100W DC Mercury Lamp, Filter Group, UV+V, B+G



Turnplate Phase Contrast Condenser,  
Working Distance 55mm



Side Photo/Video Port on base,  
100% light pass



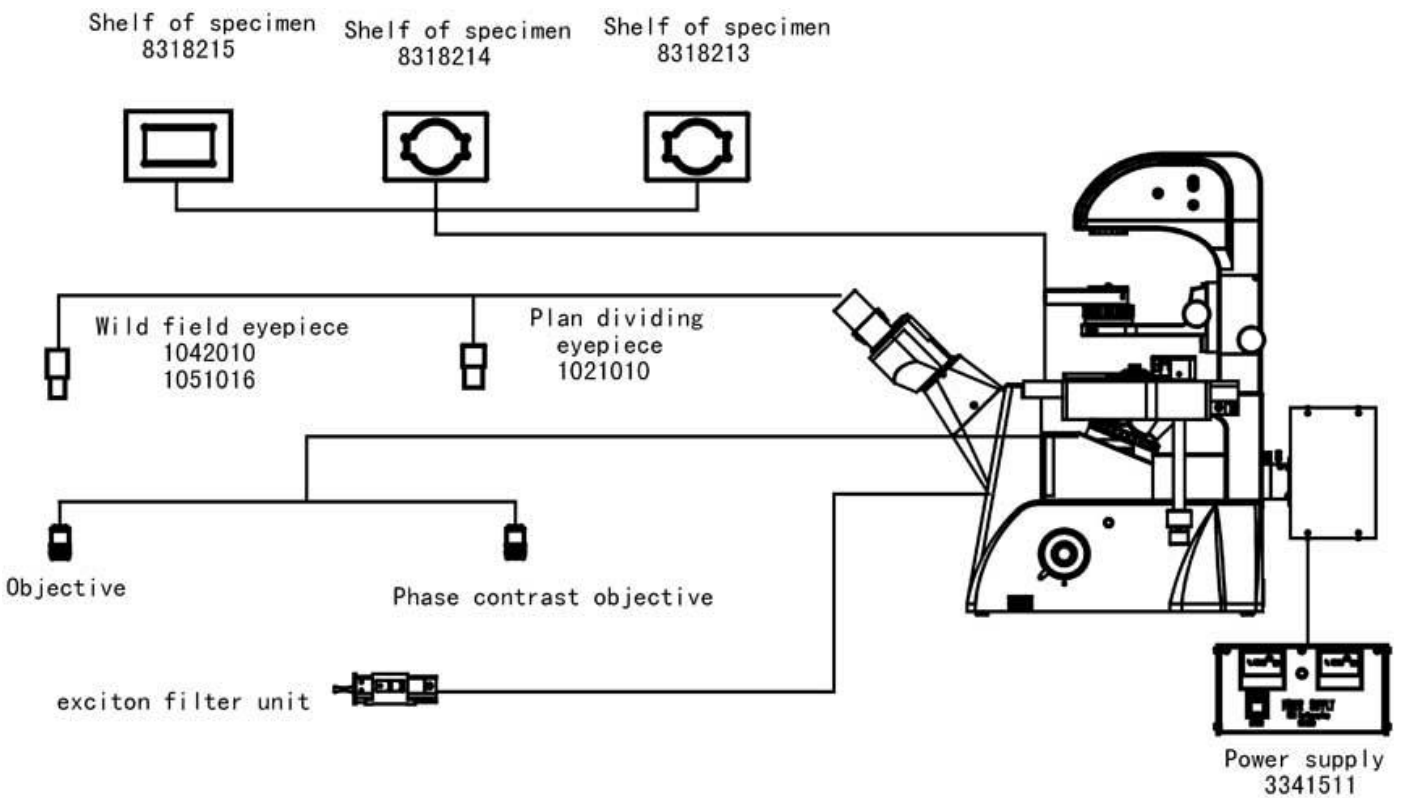
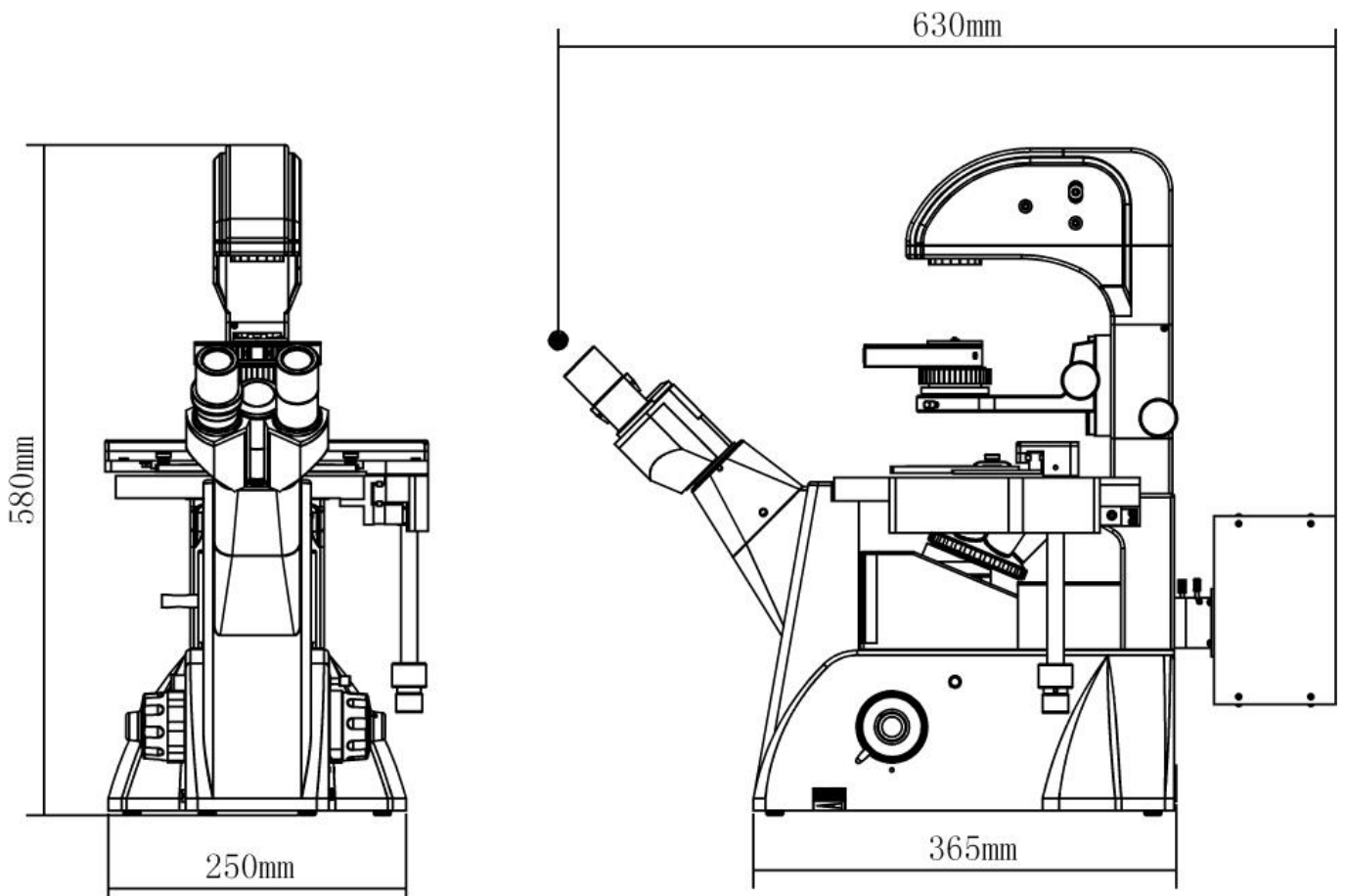
Fixed Stage Overall Size 227x208mm,  
Glass Round Stage Size Dia.118mm,  
Mechanical Moving Device, Moving  
Range 77x114mm

### Culture Dish Holder:

- 86x129.5mm, For Circular Culture Dish Dia.7.5mm
- 34x77.5mm, For Circular Culture Dish Dia.68.5mm
- 57x82mm, For Circular Culture Dish Dia.60.0mm



# System Size & Diagram



# Product Specification

A16.0206 Inverted Fluorescent Microscope, Phase Contrast				
Head	Binocular, Inclination 45 Degree Interpapillary Distance 53~75mm.			
Eyepiece	WF10x/22mm			
	Centering Telescope			
Objective	<b>Infinity Plan Achromatic Objective</b> PLL 10x/0.25, WD 4.3mm, Cover Glass 1.2mm PLL 20x/0.40, WD 8.0mm, Cover Glass 1.2mm PLL 40x/0.60, WD 3.5mm, Cover Glass 1.2mm			
	<b>Infinity Plan Achromatic Phase Contrast Objective</b> PLL10x/0.25 PHP2, WD 4.3mm, Cover Glass 1.2mm PLL20x/0.40 PHP2, WD 8.0mm, Cover Glass 1.2mm. PLL40x/0.60 PHP2, WD 3.5mm, Cover Glass 1.2mm			
Epi-Fluorescent Illumination System	Power Supply Unit, 110V or 230V Optional			
	100W DC Mercury Lamp			
	Fluorescent Filters			
	Group	Type	Excitation Wavelength	Emitted Wavelength
	UV+V	Ultraviolet (UV)	320~380nm	435nm
Violet light (V)		380~415nm	475nm	
B+G	Blue light (B)	450~490nm	515nm	
	Green light (G)	495~555nm	595nm	
Focus	Coaxial Coarse & Fine Focus, With Tension Adjustable And Up Stop, Minimum Division of Fine Focusing 2um			
Nosepiece	Quintuple			
Stage	Fixed Stage Overall Size 227x208mm			
	Glass Round Stage Size Dia.118mm			
	Mechanical Moving Device, Moving Range 77x114mm			
	Culture Dish Holder: 86x129.5mm, For Circular Culture Dish Dia.7.5mm 34x77.5mm, For Circular Culture Dish Dia.68.5mm 57x82mm, For Circular Culture Dish Dia.60.0mm			
Transmit Illumination	Turnplate Phase Contrast Condenser, Working Distance 55mm			
	6V30W Halogen, Brightness Adjustable			
	Frosted Glass, Blue Filter, Green Filter			
Video Port	Side Photo/Video Port On Base, With 100% Light Pass			
Optional Accessory				Item No.
Eyepiece	Recital Eyepiece WF10x/22mm, 0.1mm / Div.			A51.0205-G10B
Objective	Infinity Plan Achromatic Objective PL5X/0.12 W.D.26.1			A52.0206-4
Nosepiece	Sextuple (Backward Ball Bearing Inner Locating)			A54.0204
CCD Adapter	0.4x			A55.0202-01
	0.5x			A55.0202-04
	1.0x			A55.0202-02
	0.5x With Dividing 0.1mm/Div.			A55.0202-03
Photo Adapter	2.5x/4x Change Over Photograph Attachment With 10x Photo Eyepiece			A55.0201-01
	4x Focusing Photograph Attachment			A55.0201-02
	MD Adapter			A55.0201-03
	PK Adapter			A55.0201-04
	Digital Camera Adapter For Canon EF digital SLR Camera Adapter			A55.0204-02

---

MICROSCOPE IS OUR FOCUS

# Supply Ways to See Small World

OPTO-EDU is a unique, long-term and excellent supplier of microscopes and educational instruments from China. We focus on the international market of microscopes and education instruments for more than 15 years. At present our customers come from more than 110 countries all over the world, include U.S.A., U.K., Russia, Canada, Germany, Denmark, Poland, Sweden, U.A.E., Egypt, Korea, Brazil and more.

OPTO-EDU as our trademark is well known in the professional field. OPTO-EDU ranked No.1 in alibaba.com, also expanded to amazon.com, aliexpress.com in 2018. We have been working tirelessly for the sale of high quality microscopes and educational products made in China to the world market.

MI  
RO  
WORLD

The Way To **OPTO-EDU**



Opto-Edu (Beijing) Co.,Ltd.

F-1501 Wanda Plaza, No.18 Shijingshan Road, Beijing 100043, China

Skype: xincnoec Wechat : xincnoec

QQ:3004603361 Email: sale@cnoec.com

Tel: 0086 10 88696020 Mobile: 0086 13911110627

