



OPTO-EDU (BEIJING) CO., LTD.

F-1501 Wanda Plaza, No.18 Shijingshan Road, Beijing 100043, China
Tel:+8610 88696020 Fax:+8610 88696085

A13.0211

**Upright Metallurgical Microscope,
Transmit & Reflect, BF/DF, DIC, Polarizing**



Product Details

A13.0211 Metallurgical Microscope

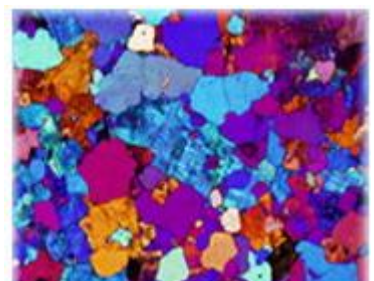
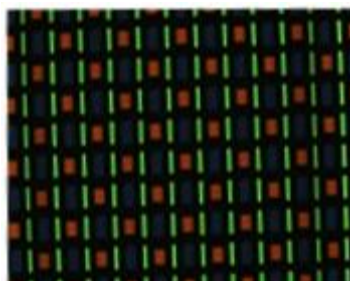
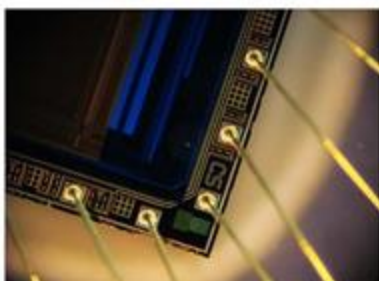


A55.0204 Canon Adapter

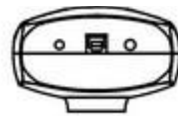
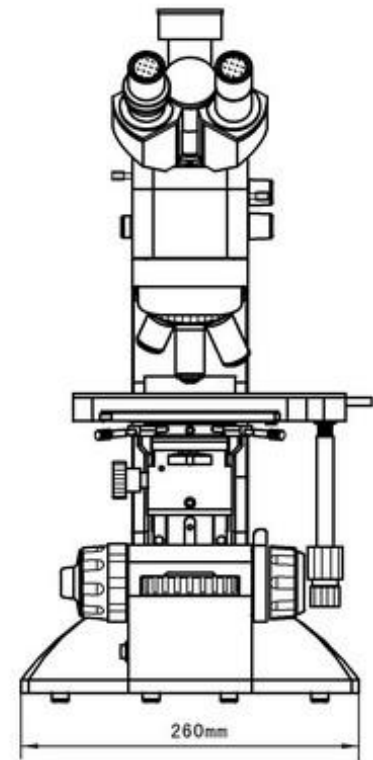
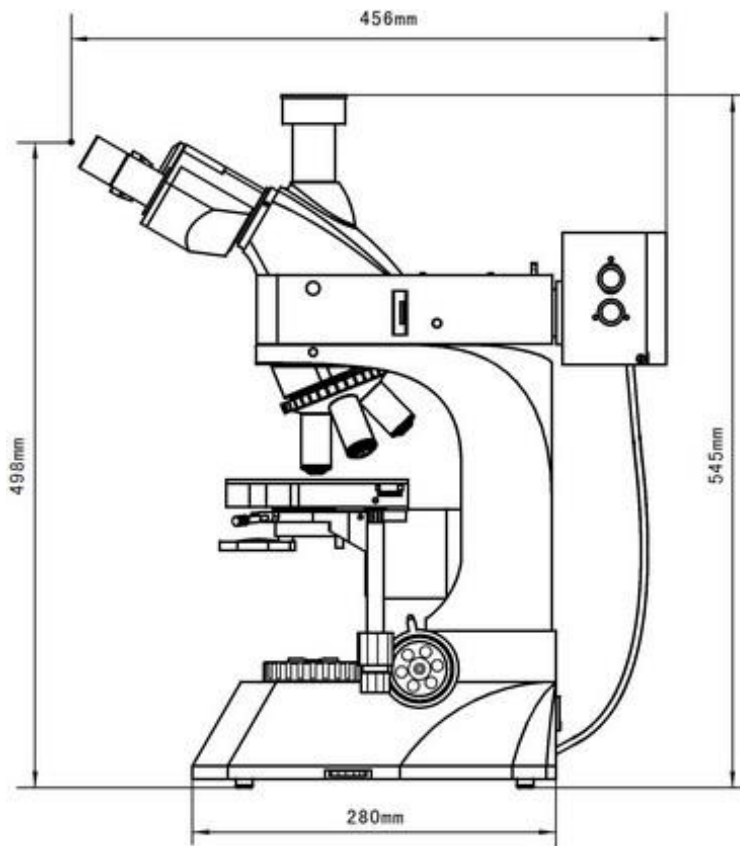
A5D.0210 Dark Field Condenser

A56.0209 Filters

Photo by our client Mr. Vadim Sytnikov. Used with permission.

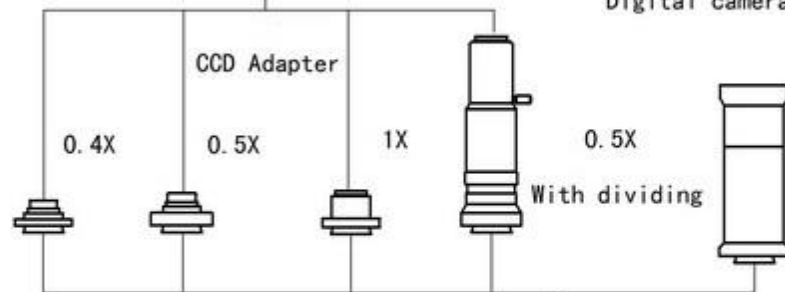


Product Size & Diagram



Camera

Digital camera adapter

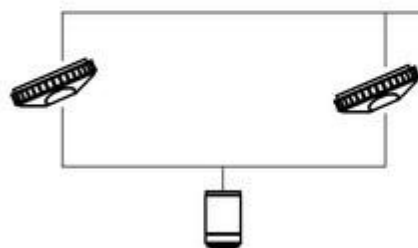


Wild field eyepiece

Plan division eyepiece

Quadruple nosepiece

Quintuple nosepiece



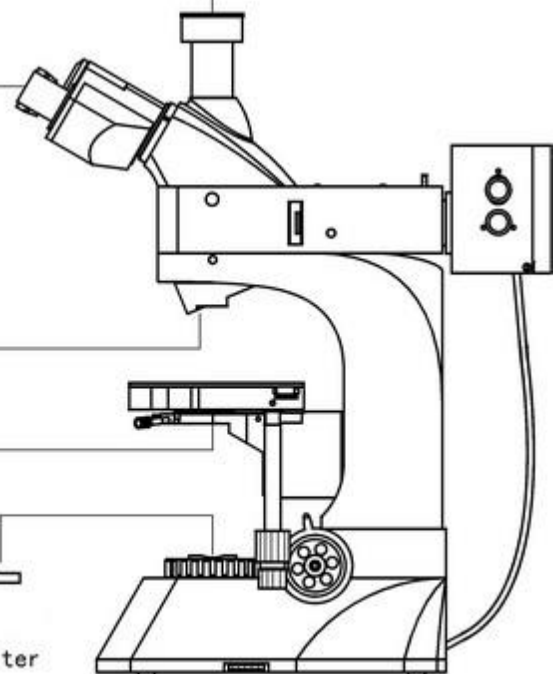
Objective



Abbe Condenser



Filter



Product Specification

A13.0211 Upright Metallurgical Microscope, Transmit & Reflect, BD, DIC, Polarizing		A13.0211	BD	DIC	BDDIC	Cata. No.
Head	Trinocular, Inclination 30°, Rotatable 360°, Interpupillary 53~75mm, Left Side Eyepiece Tube Diopter Adjustable ±5°, Switch E100:P0/E0:P100	●	●	●	●	
Eyepiece	WF10x/22mm,	●	●	●	●	A51.0202-1022
	Dividing WF10x/22mm, 0.1mm/Div	○	○	○	○	A51.0205-G10B
Nosepiece	Quintuple, Ball Bearing Inner Locating	●	●	●	●	
LWD Infinity Bright Field Plan Objective (No Cover Glass)	PLL2.5x/0.07mm, W.D.13mm	○				A5M.0235-2.5
	PLL5x/0.12mm, W.D.26.1mm	●				A5M.0235-5
	PLL10x/0.25mm, W.D.20.2mm	●				A5M.0235-10A
	PLL20x/0.40mm, W.D.8.8mm	○				A5M.0235-20
	PLL40x/0.60mm, W.D.3.98mm, Spring	●		●	●	A5M.0235-40
	PLL50x/0.70mm, W.D.3.68mm, Spring	○				A5M.0235-50
	PLL60x/0.70mm, W.D.3.18mm, Spring	●				A5M.0235-60A
	PLL80x/0.80mm, W.D.1.25mm, Spring	○				A5M.0235-80
	PLL100x/0.85mm, W.D.0.4mm, Spring	○				A5M.0235-100
LWD Infinity Bright/Dark Field Plan Objective (No Cover Glass)	BD PLL5x/0.12mm, W.D.9.7mm		●			A5M.0237-5
	BD PLL10x/0.25mm, W.D.9.3mm		●			A5M.0237-10
	BD PLL20x/0.40mm, W.D.7.2mm		●			A5M.0237-20
	BD PLL40x/0.60mm, W.D.3.0mm, Spring		●			A5M.0237-40
	BD PLL50x/0.70mm, W.D.2.5mm, Spring		○			A5M.0237-50
	BD PLL60x/0.75mm, W.D.1.9mm, Spring		○			A5M.0237-60
	BD PLL80x/0.80mm, W.D.0.8mm, Spring		○			A5M.0237-80
	BD PLL100x/0.85mm, W.D.0.22mm, Spring		○			A5M.0237-100A
	BD PLL100x/0.85mm, W.D.0.40mm, Spring		○			A5M.0237-100A
LWD Infinity DIC Plan Objective (No Cover Glass)	LMPlan 5x/0.12mm, W.D.15.0mm			●		A5M.0238-5D
	LMPlan 10x/0.3mm, W.D.10.5mm			●		A5M.0238-10B
	LMPlan 20x/0.40mm, W.D.4.5mm			●		A5M.0238-20A
LWD Infinity DIC Bright/Dark Field Plan Objective	BD LMPlan 5x/0.12mm, W.D.7.9mm				●	A5M.0239-5A
	BD LMPlan 10x/0.25mm, W.D.9.3mm				●	A5M.0239-10A
	BD LMPlan 20x/0.40mm, W.D.1.4mm				●	A5M.0239-20A
DIC Observation	5x/10x/20x DIC Push-Pull Group Slide			●	●	
Working Stage	Double Layer Mechanical Stage, Size 210x140mm, Moving Range 63x50mm	●	●	●	●	
Focusing	Coaxial Coarse & Ffine Focus System, With Tensional Adjustable And Up Stop, Fine Focusing Minimum Division 2um	●	●	●	●	
Transmit Illumination	6V30W Halogen Lamp, Brightness Adjustable	●				
	12V30W Halogen Lamp, Brightness Adjustable		●	●	●	
	Abbe Condenser N.A.=1.25, Rack & Pinion Up/Down Adjustable	●	●	●	●	
	Blue Filter And Ground Glass	●	●	●	●	
	Collector For Illumination With Halogen Lamp (With Filed Diaphragm)	●	●	●	●	
Reflect Illumination	6V30W Halogen Lamp, Brightness Adjustable	●				
	12V50W Halogen Lamp, Brightness Adjustable		●	●	●	
	Epi Illumination Intergrate Field Diaphragm, Aperture Diaphragm, Filter Switching Device For Yellow, Blue, Green Filter & Ground Glass	●	●	●	●	
Polarizing	Push-Pull Type Polarizer	●	●	●	●	
	Built-in Analyzer And Switching Freely	●	●	●	●	
Adapter	0.4x C-Mount	○	○	○	○	A55.0202-1
	1.0x C-Mount	○	○	○	○	A55.0202-2
	0.5x C-Mount With Dividing 0.1mm/Div	○	○	○	○	A55.0202-3
	0.5x C-Mount	○	○	○	○	A55.0202-4
	Digital SLR Camera Adapter for Canon EF	○	○	○	○	A55.0204-1

Remark: '●' Means Standard Outfit, '○' Means Optional

MICROSCOPE IS OUR FOCUS

Supply Ways to See Small World

OPTO-EDU is a unique, long-term and excellent supplier of microscopes and educational instruments from China. We focus on the international market of microscopes and education instruments for more than 15 years. At present our customers come from more than 110 countries all over the world, include U.S.A., U.K., Russia, Canada, Germany, Denmark, Poland, Sweden, U.A.E., Egypt, Korea, Brazil and more.

OPTO-EDU as our trademark is well known in the professional field. OPTO-EDU ranked No.1 in alibaba.com, also expanded to amazon.com, aliexpress.com in 2018. We have been working tirelessly for the sale of high quality microscopes and educational products made in China to the world market.



MICRO
WORLD

The Way To **OPTO-EDU**



Opto-Edu (Beijing) Co.,Ltd.

F-1501 Wanda Plaza, No.18 Shijingshan Road, Beijing 100043, China

Skype: xincnoec Wechat : xincnoec

QQ:3004603361 Email: sale@cnoec.com

Tel: 0086 10 88696020 Mobile: 0086 13911110627

