



# A14.0201

## Inverted Biological Phase Contrast Microscope



## Product Details



**A14.0201 Inverted Phase Contrast Microscope**



Large Size 200\*152mm Double Layer Mechanical Stage, Moving Range 75\*30mm, With Shelf For Specimen Dia. 68mm Or 77\*33mm Culture Utensil

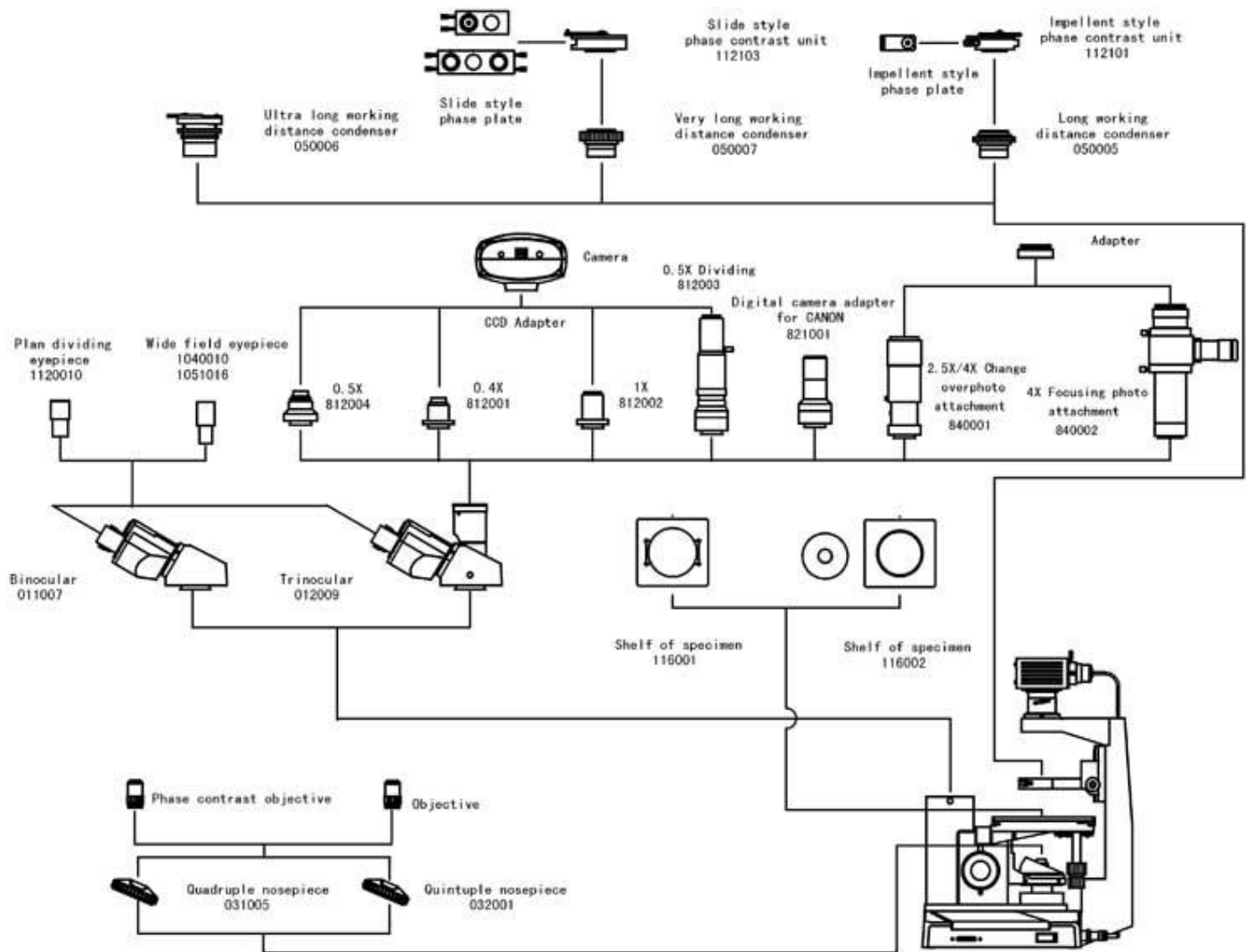
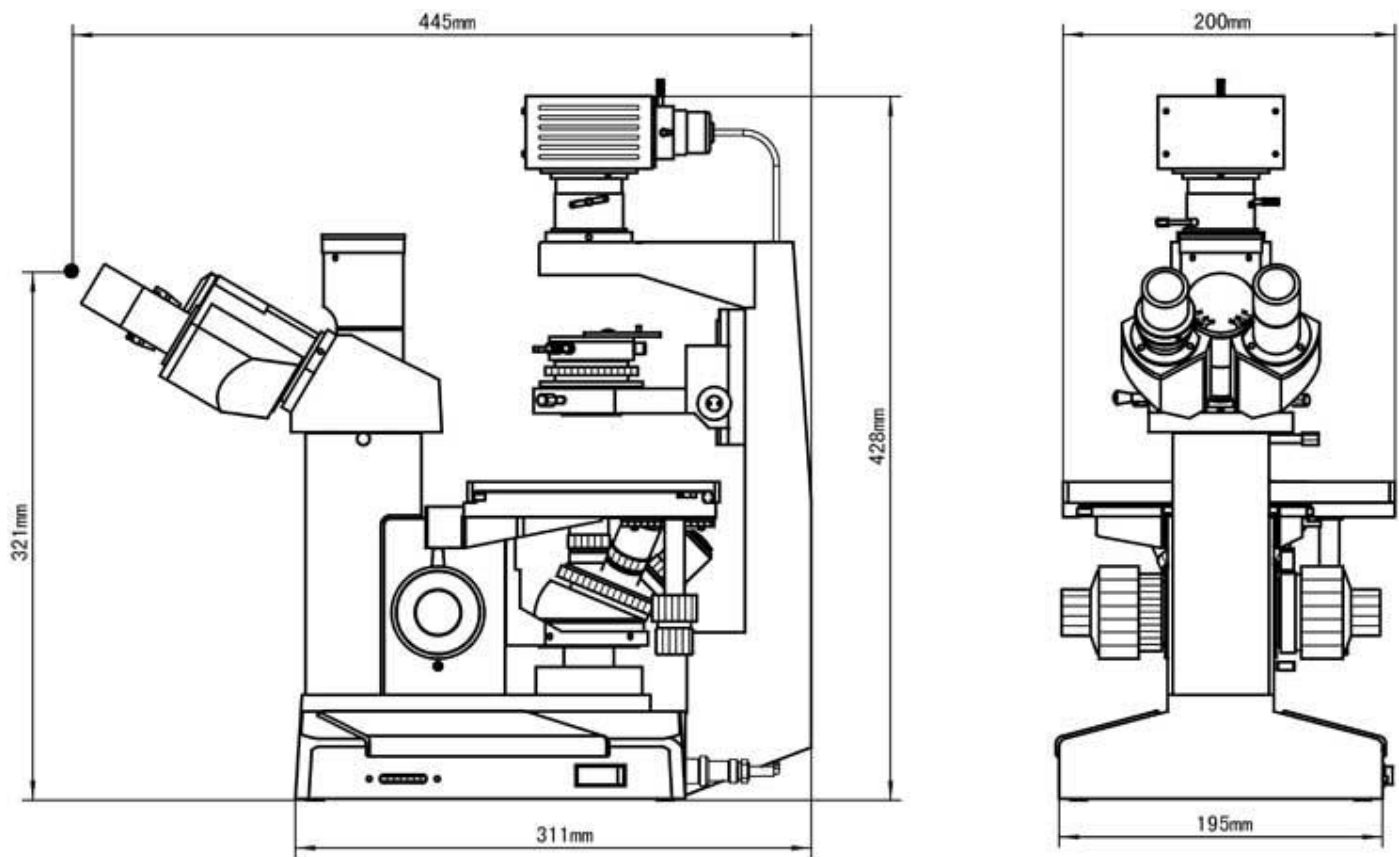


Long Working Distance Condenser, W.D. 30mm, 55mm, Up to 70mm, Rack & Pinion Height Adjustable, N.A. =0.4



Sliding Type And Impellent Type Phase Contrast Set Available, Including Long Working Distance Phase Contrast Condenser, Objective, Phase Slide, And Centering Telescope

# Product Size & Diagram



# Product Specification

## A14.0201 Inverted Phase Contrast Microscope

### A14.0201 Inverted Phase Contrast Microscope

Is Equipped With Wide Field Eyepieces, Long Working Distance Plan Achromatic Objectives, Long Working Distance Condenser And Phase Contrast Unit. It Can Observe Transparent And Unfinished Living Specimen In Culture Bottle Or Culture Utensil. It Is The Ideal Tools For Research Of Living Specimen Structure, Liquid, Deposits And So On.

- Wide Field Eyepiece WF10x/20mm, LWD Objective 10x,25x,40x
- Impellent Phase Contrast Slide And 10x Phase Contrast Objective Included,
- Sliding Phase Contrast Slide Unit Optional
- Coaxial Coarse/Fine Focus System, Minimum Division 0.002mm
- Transmit Light Halogen Lamp 6V 20W With Brightness Control

Magnification	Total 100~400x
Head	Trinocular Head, 30° Inclined, 100 Light Pass For Photography
Eyepiece	WF10x/20mm Wide Field
Nosepiece	Quadruple
Objective	<b>LWD Plan Achromatic Objective</b>
	PLL10x/0.25, W.D.8.8mm
	PLL 25x/0.40, W.D.4.8mm
	PLL 40x/0.60, W.D.3.3mm
	<b>LWD Plan Phase Contrast Objective</b>
PLL10x/0.25 PHP, W.D.8.1mm	
Working Stage	Double Layer Mechanical Stage 200*152mm, Moving Range 75*30mm
	Culture Dish Holder, For Dia.68mm Or 77*33mm Culture Utensil
	Culture Dish Holder, For Dia.68mm
Focusing	Coaxial Coarse & Fine Focus Knob, With Tension Adjustable And Limit Stopper, Minimum Division 0.002mm
Impellent Phase Contrast	Long Working Distance Phase Contrast Condenser, N.A.0.4, Working Distance 30mm, Rack & Pinion Adjustable
	Impellent Style Phase Plate 10x
	Centering Telescope Eyepiece 10x
Filter	Blue, Green, Frost Filter
Light Source	Kohler Illumination, 6V20W Halogen Lamp, Brightness Adjustable

### A14.0201 Optional Accessories

Eyepiece	WF16x/11mm	A51.0203-16A	
	Dividing Eyepiece 10x/20mm, 0.1mm/Div	A51.0205-G10A	
Impellent Phase Contrast	LWD Plan Phase Contrast Objective	PLL 25x/0.40 PHP, W.D.4.78mm	A5C.0232-25
		PLL 40x/0.60 PHP, W.D.3.32mm	A5C.0232-40
	Ultra Long Working Distance Phase Contrast Condenser, N.A.0.4, Working Distance 70mm	A5M.0210-6	
	Impellent Phase Contrast Plate 25x	A5C.0211-2	
	Impellent Phase Contrast Plate 40x	A5C.0211-3	
Sliding Phase Contrast	LWD Plan Phase Contrast Objective	PLL10x/0.25 PHP2, W.D.8.1mm	A5C.0232-10a
		PLL25x/0.40 PHP2, W.D.4.78mm	A5C.0232-25a
		PLL40x/0.60 PHP2, W.D.3.32mm	A5C.0232-40a
	Long Working Distance Phase Contrast Condenser, N.A.0.4, Working Distance 55mm	A5M.0210-7	
	Sliding Phase Contrast Plate 10x	A5C.0211-4	
	Sliding Phase Contrast Plate 25x/40x	A5C.0211-5	
Filter	Yellow Filter	A56.0209-3	
Adapter	CCD Adapter 0.5x	A55.0202-04	
	Digital SLR Camera Adapter for Canon EF Series	A55.0204-02	

---

MICROSCOPE IS OUR FOCUS

# Supply Ways to See Small World

OPTO-EDU is a unique, long-term and excellent supplier of microscopes and educational instruments from China. We focus on the international market of microscopes and education instruments for more than 15 years. At present our customers come from more than 110 countries all over the world, include U.S.A., U.K., Russia, Canada, Germany, Denmark, Poland, Sweden, U.A.E., Egypt, Korea, Brazil and more.

OPTO-EDU as our trademark is well known in the professional field. OPTO-EDU ranked No.1 in alibaba.com, also expanded to amazon.com, aliexpress.com in 2018. We have been working tirelessly for the sale of high quality microscopes and educational products made in China to the world market.



MICRO  
WORLD

The Way To **OPTO-EDU**



Opto-Edu (Beijing) Co.,Ltd.

F-1501 Wanda Plaza, No.18 Shijingshan Road, Beijing 100043, China

Skype: xincnoec Wechat : xincnoec

QQ:3004603361 Email: sale@cnoec.com

Tel: 0086 10 88696020 Mobile: 0086 13911110627

